

Welcome to our Business Class interior, designed to deliver maximum driver confidence, with comfort and control in perfect harmony.



NATIONWIDE SUPPORT NETWORK

NORTH ISLAND PARTS AND SERVICE DEALERS

Whangarei
Commercial Diesel
(09) 438 6915

Auckland
Southpac Trucks Ltd Parts
(09) 263 7710

Auckland
Southpac Trucks Ltd Service
(09) 262 4644

Hamilton
Diesel & Machinery Services
(07) 847 9955

Mt Maunganui
Truckline Services
(07) 575 3883

Rotorua
Southpac Trucks Ltd
(07) 345 9761

Gisborne
Total Parts & Service
(06) 867 0707

Taupo
Taupo Diesel Solutions
(07) 377 4324

New Plymouth
Mccurdy Engineering
(06) 769 6506

Napier
Eastern Truck & Marine
(06) 843 0400

Wanganui
Emmetts Service Centre
(06) 344 5055

Palmerston North
Emmetts Service Centre
(06) 354 2691

Masteron
Fagan Trucks
(06) 378 6159

Wellington
Goughs Wellington
(04) 569 1099



SOUTH ISLAND PARTS AND SERVICE DEALERS

Nelson
Commercial Vehicle Centre
(03) 546 4605

Blenheim
Transmar Services
(03) 577 6605

Christchurch
Southpac Trucks Ltd
(03) 344 0252

Christchurch
Heavy Diesel Parts & Services
(03) 349 2009

Timaru
Heavy Diesel Parts & Services
(03) 686 6663

Dunedin
Dunedin Truck Services Ltd
(03) 479 0150

Gore
Transport Repairs Gore
(03) 208 1618

Invercargill
Transport Repairs Invercargill
(03) 208 1618



24 HOUR ASSIST 0508 225 577



T609
DEFINING TOMORROW

COMFORT AND CONTROL

Classic styling has been teamed with the highest standards of quality and safety in our cab design.

The large one-piece curved windscreen offers a commanding view of the road ahead with excellent all round visibility.

An unobstructed view of gauges and easy access to vital switches and controls are provided by the cleverly designed wrap around dash, enhancing driver comfort and minimising fatigue.

Convenient storage, contemporary trim, privacy curtain, a range of seat options and "Smart Wheel" fingertip access for engine brake and cruise functions, all deliver further driver confidence, comfort and control.



IMPORTANT: The vehicles shown in this brochure are for illustrative purposes only and may include some non-standard optional equipment. All weights and measurements should be regarded as approximate only. For full details contact your Kenworth Dealer. In the interests of product improvement, Kenworth reserves the right to change these specifications without prior notice.



T609-0214

AUSTRALIAN MADE. WORLD'S BEST.

DEFINING AERODYNAMICS

MAIN SPECIFICATIONS & OPTIONS

UP CLOSE & TECHNICAL



CONFIGURATION

- 6X4 **standard**
- 8X6 **optional**

KITS

- FUEL HAUL & GAS HAUL **optional**

ISX EGR ENGINE

- ISX EGR 485HP @ 1650LBFT TORQUE **standard**
- ISX EGR 485HP - 600HP @ 1850LBFT TORQUE **optional**
- SIGNATURE EGR 600HP @ 2050LBFT TORQUE **optional**

EXHAUST

- DPF MOUNTED RIGHT HAND SIDE UNDER CAB **standard**
- DPF POST MOUNTED **optional**
- DPF MOUNTED UNDER CHASSIS **optional**

ISXe5 SCR ENGINE

- ISXe5 SCR 485HP @ 1650LBFT TORQUE **optional**
- ISXe5 SCR 485HP - 600HP @ 1850LBFT TORQUE **optional**
- SIGNATURE SCR 600HP @ 2050LBFT TORQUE **optional**

EXHAUST

- EGP MOUNTED IN-CHASSIS **optional**
- EGP MOUNTED RIGHT HAND SIDE UNDER CAB **optional**
- 170L 625MM DIA UREA TANK **optional**
- 225L RECTANGULAR UREA TANK **optional**

AIR CLEANER

- DONALDSON 2540 AIR CLEANER MOUNTED UNDER HOOD **standard**

TRANSMISSION

- EATON RTLO16918B **standard**
- EATON RTLO22918B **optional**
- EATON RTLO18913A **optional**
- EATON RTLO22918A-AS3 **optional**
- EATON ULTRASHIFT PLUS **optional**
 - FO-16E318B-MXP
 - FO-18E318B-MXP
 - FO-20E318B-MXP
 - FO-22E318B-MXP

FRONT AXLE

- DANA E-14621 **standard**
- MERITOR FG941 **optional**
- MERITOR MFS73 **optional**

REAR AXLE

- DANA DSH40P **standard**
- DANA D46-170 **optional**
- DANA D50-170 **optional**
- DANA D52-190 **optional**
- DANA D52-190 WITH LAZY AXLE **optional**
- MERITOR RT40-145 **optional**
- MERITOR RT46-160 **optional**
- MERITOR RT50-160 **optional**
- MERITOR RT52-185 **optional**
- MERITOR RT52-185 WITH LAZY AXLE **optional**

REAR SUSPENSION

- KENWORTH AIRGLIDE 400 **standard**
- KENWORTH AIRGLIDE 460 **optional**
- KENWORTH KW6-60A **optional**
- NEWAY AD246/10 **optional**
- NEWAY AD369/10 **optional**

BRAKES

- DRUM **standard**
- DISC **optional**

WHEELS

- STEEL DISC 10 STUD **standard**
- ALCOA 10 STUD **optional**
- 6 SPOKE **optional**

SLEEPER

- 28" IT **optional**
- 36" AERO RECESSED BACK **optional**
- 36" AERO FLAT BACK **optional**
- 36" MID ROOF SLEEPER **optional**
- 50" AERO FLAT BACK **optional**

FUEL TANKS

- 450L 625MM DIA FUEL TANK LEFT HAND FORWARD **standard**
- RANGE OF PACKAGES AVAILABLE **optional**

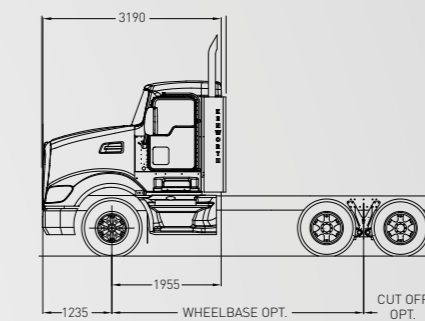
PAINT

- SINGLE COLOUR TO CAB **standard**
- UP TO 3 COLOURS 6 BREAKS **optional**

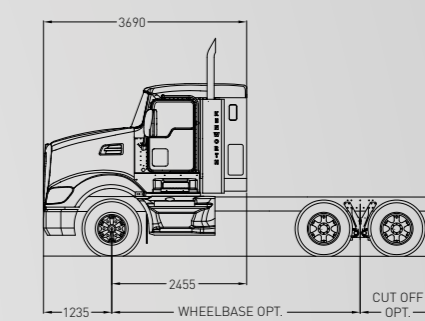
GCM

- 90 TONNE LIMIT*
- *higher rating subject to application approval

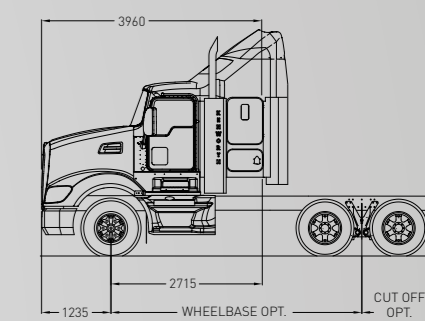
T609 DAY CAB



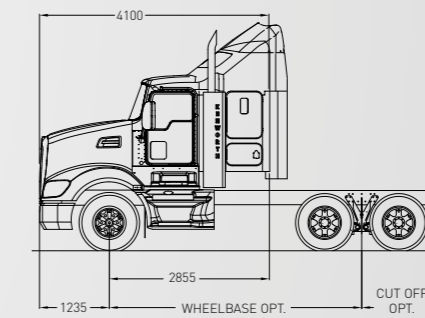
T609 28" IT



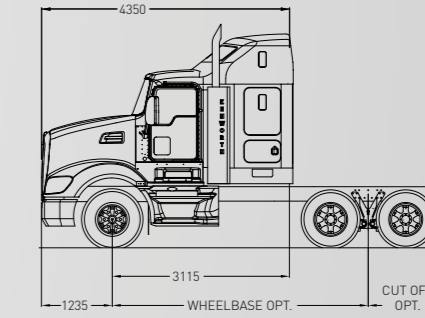
T609 36" RECESSED BACK



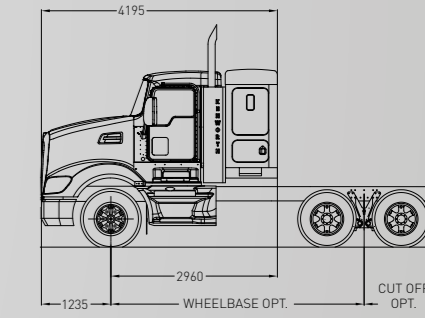
T609 36" FLAT BACK



T609 50" SLEEPER



T609 915MM MODULAR SLEEPER BOX



AUSTRALIA'S PREMIUM BONNETED PRIME MOVER

Kenworth's T609 is primarily suited to on-highway applications and offers a range of engine options up to 600 horsepower, with excellent cooling capacity and all the in-cab luxuries.

Well suited to multiple trailer combinations including B-Double and road trains, the T609 stands out for outright versatility, road presence and unmatched aerodynamic styling.

With stunning looks and perfect road manners it's no wonder the T609 turns heads on the highways, and looks equally impressive when it comes to performance figures.

APPLICATION ENGINEERED

Kenworths work harder for longer, because they are purpose designed for their intended task, then manufactured to those exacting specifications with uncompromising quality, at our world-class production facility in Bayswater, Victoria.

We look carefully at your specific application and performance requirements and engineer the best possible combination of chassis, engine, transmission and drivelines from our extensive range of options.

Through Application Engineering at the design/specification phase, the features and benefits that best meet your needs can be included at the factory level as an integrated solution, delivering enhanced productivity, durability, reliability and safety.

THE POWER OF CHOICE

For example, Kenworth trucks can be built to a variety of wheelbases with components mounted onto the frame to suit your needs. We optimise the strength of each frame by locating the various parts so that loads are evenly spread and fuel tank capacity can be maximised.

Whichever road you take regarding engine emission technology rest assured you'll make the right choice with Kenworth. Offering the best of both worlds with the option of the Cummins ISX or Cummins ISXe5 up to 600hp with SCR after-treatment.